

DH-SD5923C/23E/36E-H

23x/36x Ultra-high Speed IR PTZ Dome Camera



Features

- Powerful 23x/36x optical zoom
- High resolution@650TVL/540TVL
- DWDR, Day/Night(ICR), Ultra DNR, Auto iris, Auto focus
- Max 400°/s pan speed, 360° endless pan rotation
- Up to 300 presets, 5 auto scan, 8 tour, 5 pattern
- Built-in 2/1 alarm in/out
- Support intelligent 3D positioning with DH-SD protocol
- IR Distance up to 100m
- IP66

DH-SD5923C/23E/36E-H

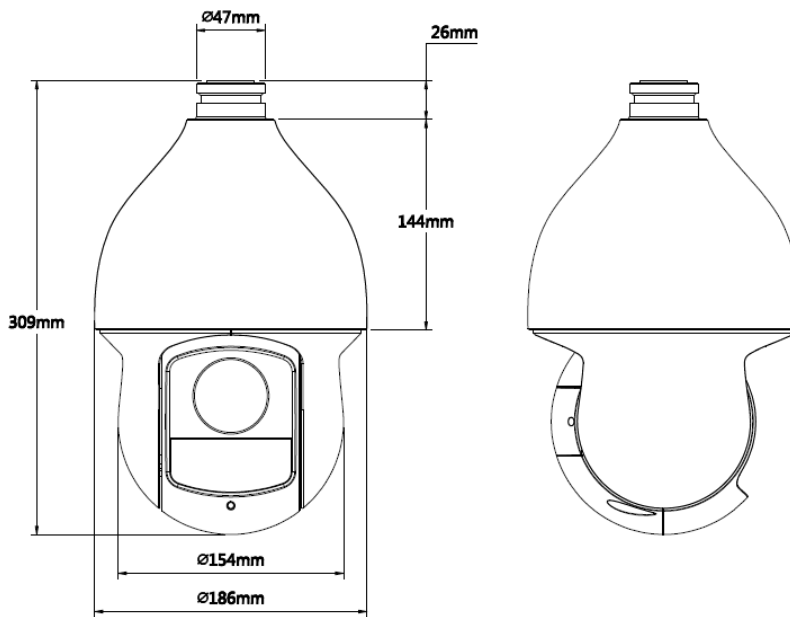
Technical Specifications

Model	DH-SD5923C-H	DH-SD5923E-H	DH-SD5936E-H
Camera			
Image Sensor	1/4" CMOS	1/4" Exview CCD II	
Effective Pixels	640(H) x 480(V)	976(H) x 582(V)/ 976(H) x 496(V)	
Scanning System	Progressive	Interlacing	
Electronic Shutter Speed	1/1 ~ 1/30,000s		
Min. Illumination	Color: 0.5Lux@F1.6; B/W: 0.05Lux@F1.6	Color: 0.01 Lux/F1.6,AGC ON, Slow Shutter ON; B/W: 0.001Lux/F1.6,AGC ON, Slow Shutter ON	
S/N Ratio	More than 55dB		
Video Output	BNC (1.0Vpp/75Ω), PAL/NTSC		
Camera Features			
Day/Night	Auto(ICR) / Color / B/W		
Backlight Compensation	BLC / HLC / DWDR (Digital WDR)		
White Balance	Auto, ATW, Indoor, Outdoor, Manual		
Gain Control	Auto / Manual		
Noise Reduction	Ultra DNR (2D/3D)		
Privacy Masking	Up to 24 areas		
Digital Zoom	16x		
Lens			
Focal Length	3.9mm~89.7mm (23x Optical zoom)	3.9mm~89.7mm (23x Optical zoom)	3.4mm~122.4mm (36x Optical zoom)
Max Aperture	F1.6~ F3.7	F1.6~ F3.7	F1.6~ F4.5
Focus Control	Auto / Manual		
Angle of View	53.5° ~ 2.6°	61.68° ~ 3.06°	57.8° ~ 1.7°
PTZ			
Pan/Tilt Range	Pan: 0° ~ 360° endless; Tilt: -15° ~ 90°, auto flip 180°		
Manual Control Speed	Pan: 0.1° ~300° /s; Tilt: 0.1° ~200° /s		
Preset Speed	Pan: 400° /s; Tilt: 300° /s		
Preset	300		
PTZ Mode	5 Pattern, 8 Tour, Auto Pan, Auto Scan		
Speed Setup	Human-oriented focal length/ speed adaptation		
Power up Action	Auto restore to previous PTZ and lens status after power failure		
Idle Motion	Activate Preset/ Pan/ Scan/ Tour/ Pattern if there is no command in the specified period		
Protocol	DH-SD, Pelco-P/D (Auto recognition)		
IR Distance	100m		
Auxiliary Interface			
RS485	1 Port		
Alarm	2/1 channel In/Out		

DH-SD5923C/23E/36E-H

General	
Power Supply	AC24V (±10%)
Power Consumption	13W, 23W (IR on)
Working Environment	-40°C ~ 70°C / Less than 90% RH
Ingress Protection	IP66
Dimensions	Φ186.0(mm) x 309(mm)
Weight	3.5kg

Dimensions (mm)






Accessories

DH-PFB300S	DH-PFA110	Power Supply

DH-SD5923C/23E/36E-H

Accessories (Optional)

			
DH-PFB300C	DH-PFA112	DH-PFA113	DH-PFB301S

		
DH- PFA120	DH-PFA150	DH-PFA151

Dahua Technology Co., Ltd.

1199 BinAn Road, Binjiang District, Hangzhou, China

Tel: +86-571-87688883

Fax: +86-571-87688815

Email: overseas@dahuatech.com

www.dahuasecurity.com

*Design and specifications are subject to change without notice.

© 2014 Dahua Technology